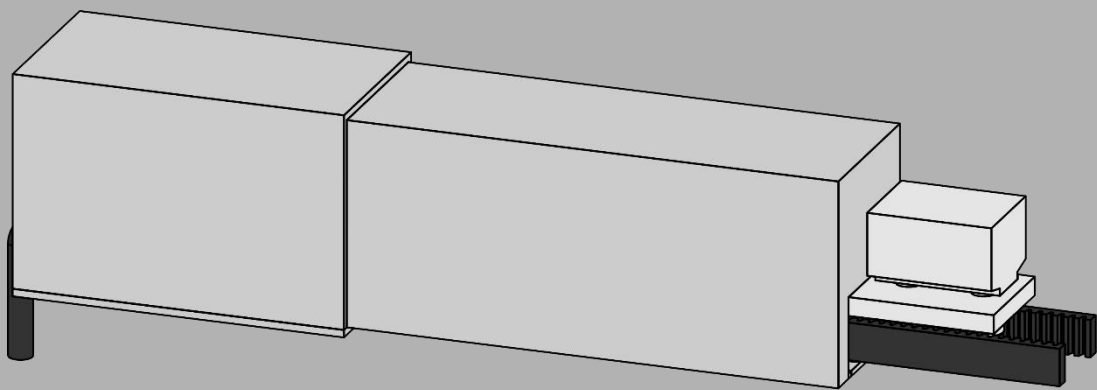


INSTRUCTIONMANUAL



XS-2/230V Motor Prometheus

Product group:	Sliding shutters, -windows, -doors,
Version:	1.4
Language:	english
Orig. Language:	german
Document:	-----



Imprint

Baier GmbH
Reiersbacher Straße 28
D-77871 Renchen-Ulm
Germany

+49 (0) 78 43 / 94 76 - 0
+49 (0) 78 43 / 94 76 - 33

info@baier-gmbh.de
www.baier-gmbh.de

Document information	Document type:	Instruction manual
	Title:	XS-2/230V motor Prometheus
	Product group:	sliding shutters, sliding windows, sliding doors
	Version:	1.4
	Language:	english
	Original Language:	german (deutsch)
	Document:	-----

Copyright notice This is a copyrighted document. It is not allowed to copy it fully or partly, distribute it or use it without authority, if the permission of the above mentioned originator is missing. All rights about the drawings and other documents and the power of disposal is with the originator, also in the case of application for industrial property protection.

Declaration of conformity This product fulfills the basic requirements of the applicable European Directives. The conformity was detected. The original of the Declaration of conformity is available as a separate document from the manufacturer.

Technical subjects to change Our products are always under further development and get improved. The data used for this document represents the state of the product at the time of the creation of this document.

Changings of technical details are excepted. Please use the latest version of the document and contact the manufacturer in case of doubt



Table of contents

1	About this document	4
1.1	Target group	4
1.2	Objective of this document	4
1.3	Reference to other documents, guidelines and standards	4
1.4	Used Symbols	5
2	Safety	6
2.1	Requirements for operation	6
2.1.1	Environmental conditions	6
2.2	Intended Use	6
2.3	Behavior in case of an error	6
3	Functional Description	7
3.1	Dimensions	8
4	Cable installation	9
4.1	Cable diagrams	9
4.1.1	4-wire connection	9
4.1.2	3- wire connection	9
4.1.3	2- wire connection	9
4.2	Wiring requirements	9
5	Connection	10
5.1	4-wire-connection	10
5.2	3-wire-connection	10
5.3	2-wire-connection	10
6	Wireless Receiver	11
6.1	Programming Wireless Transmitters	11
6.1.1	Teaching-in the First Wireless Transmitter	11
6.1.2	Teaching-in Additional Wireless Transmitters	11
6.1.3	Emergency Teach for lost remote controls	12



1 About this document

1.1 Target group

This document addresses qualified personnel. Mounting is only done by technical educated, trained and qualified personnel. Electrical wirings are only done by the specialist.

This document has to be accessible for the executor, has to be readed, understood and used.

1.2 Objective of this document

This document contains important information for mounting and wiring the product. This document has to be read before all working, handed and explained to the operator as well as kept available all the time as a part of the product.

1.3 Reference to other documents, guidelines and standards

Additional documents like guidelines, standards and laws for product of this art, have to be considered.



Hint

The fabricator has an increased duty to advice the customer. The relevant guidelines, standards and laws have to be considered.



1.4 Used Symbols



Hint

A hint gives important and additional information.

NOTICE

Description of type and source of hazards

Warnings, marked with this symbol, are related to safety.
Disregard may result in property damage.

- Steps to avoid hazards.

⚠ CAUTION



Description of type and source of hazards

This symbol indicates a hazardous situation which, if not avoided, could result in minor or moderate injury and/or property damage.

The following levels of warning show the severity and probability of possible hazards, in ascending order.

- CAUTION, coloured yellow
- WARNING, coloured orange
- DANGER, coloured red

- Steps to avoid hazards.

- symbolizes a list with no specific order

List

1. symbolizes a list or instruction in specific order

- symbolizes an action
- symbolizes a reference
- ✓ symbolizes the result of the action

Instruction



2 Safety

DANGER



Electric Shock

Danger to life and health due to electrical shock.

- Electrical connections have to be installed by approved personnel only
- Switch off power before carrying out work and secure power against being switched on.
- Observe relevant safety instructions.

2.1 Requirements for operation



Hint

Read the instruction manual before performing the initial operation.

2.1.1 Environmental conditions

The Prometheus XS-2/230 motor is designed for use in protected outdoor areas. It must not be exposed to direct moisture, such as rain. More information can be found in the datasheet.

2.2 Intended Use

This product serves as a drive for sliding shutters, sliding doors and sliding windows. It is connected directly to the 230V, 50Hz AC mains supply. Various connection options are available.

The manufacturer's instructions for dimensioning, i.e. maximum and minimum dimensions, maximum weights and similar details must be observed.

Any other use of this product shall be considered as improper use.

We cannot guarantee that the product will work with fittings, controls or other electronics from other manufacturers.

2.3 Behavior in case of an error

In case of an error, the device must be shut down and the manufacturer must be informed.

Shut down

- Do not operate device
- Disconnect device from power supply
- Inform the manufacturer



3 Functional Description

Construction and Function of the Motor

The motor's internal construction consists of a 24V DC motor, the electronics and a mains adapter. The motor usually drives a sliding shutter or a sliding door via a toothed belt.

The motor always has 4 wires in the connection cable. The connection of these cables determines the type of operation:

4-Wire Connection, Automatic optional with wireless control

- The following connections are made for the 4-wire connection: L (phase, permanent), N (neutral wire), Open (L phase) and Closed (L phase).

The motor is normally permanently supplied with voltage. If one of the two control inputs is connected with voltage, the motor starts to run in the desired direction. The control signal need not be on continuously during the run; a short pulse is sufficient.

The motor stops when an obstacle is detected, if a pulse is given off in the opposite direction or the end of the track is reached.

3-Wire Connection, Deadman no wireless control possible

- The following connections are made for the 3-wire connection:
N (neutral wire), Open (L phase) and Closed (L phase).
L (phase, permanent) is not connected.

The motor is only supplied with voltage via the control inputs. If one of the two control inputs is connected with voltage, the motor starts to run in the desired direction. The control signal must stay on continuously during the run.

The motor stops when an obstacle is detected or the end of the track is reached. The motor also stops when the control signal goes off.

2-Wire Connection, with mandatory wireless control

- The following connections are made with the 2-wire connection:
L (phase, permanent) and N (neutral wire).
Open (L phase) and Closed (L phase) are not connected.

The motor is normally permanently supplied with voltage. It is actuated via an integrated wireless receiver. Once it is activated, the motor starts to run in the desired direction. The wireless signal need not be on continuously during the run; a short pulse is sufficient.

The motor stops when an obstacle is detected, if a wireless pulse is given off in the opposite direction or the end of the track is reached.

Wireless Transmitter and Receiver

Optionally, the motor has an integrated wireless receiver for actuation.

With the 4-wire connection, the wireless control can be used optionally for actuation in addition to on-site button.

With the 3-wire connection, the wireless control cannot be used effectively, due to the non-permanent voltage supply.

With the 2-wire connection, the wireless control must be used for actuation



3 Functional Description

Configuration and Commissioning

The motor has no other setting or configuration options. It is ready for operation after installation. No additional steps are required for commissioning.

Power Shutdown

The integrated motor control unit serves to operate the motor until such time as it exceeds the permissible torque. This function is called a power shutdown. This allows the drive to detect obstacles and shut down.

The power shutdown is also used to detect the end positions. Since the motor's power consumption increases at the end positions, the drive shuts off.

Low Speed Operation

During the first run, the integrated motor control unit determines the duration of a normal run. Shortly before the end of this period, the motor runs at reduced speed to save the mechanics and increase safety.

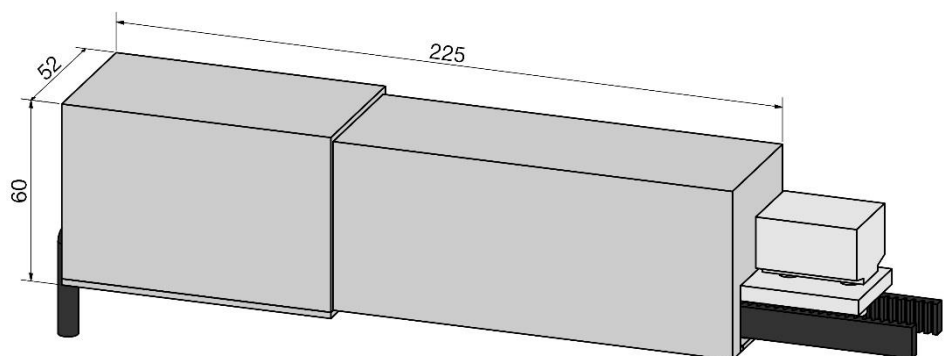
Likewise, the motor also runs at reduced speed if it shuts off before the end, due to the power shutdown.

Connecting in Parallel

Several motors can be connected in parallel to one control switch. One motor can be connected in parallel to multiple control switches. The maximum switching capacity of the installation should be observed in doing so.

3.1 Dimensions

The control unit is generally located in the motor extension and is firmly connected to it. The dimensions are approximately 52 x 60 x 225 mm (WxHxL), excluding mounting block and cable.

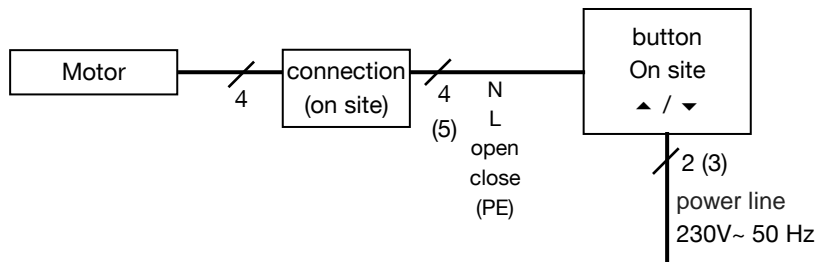




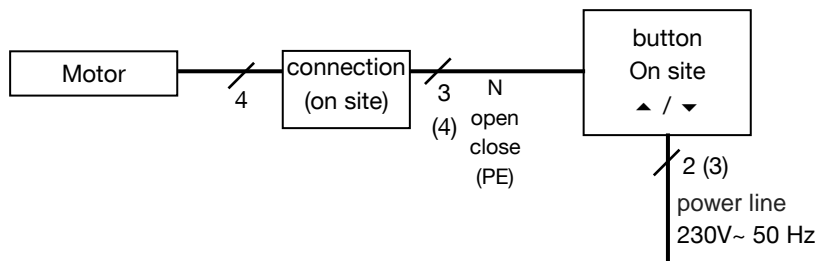
4 Cable installation

4.1 Cable diagrams

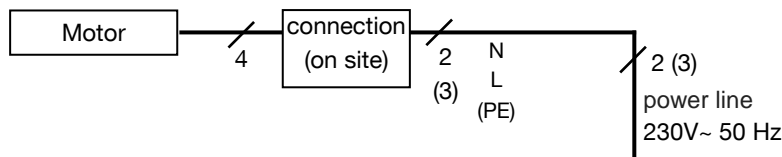
4.1.1 4-wire connection



4.1.2 3-wire connection



4.1.3 2-wire connection



4.2 Wiring requirements

The following specifications are minimum requirements.

Wire	Type of wire
between elec. connection and motor Preassembled cables to the motor	1. H05RN-F (o. glw.) 4 x 0,75 mm ² , length. 0,5m without special wire Optional other type of wire, Other lengths and connections available..
between elec. connection and button and between button and power line	site depending on requirements

Table 1 – Type of wire



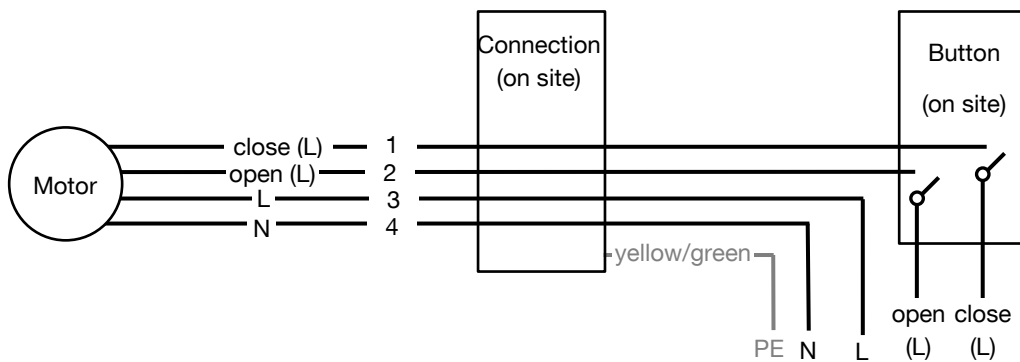
5 Connection

5 Connection

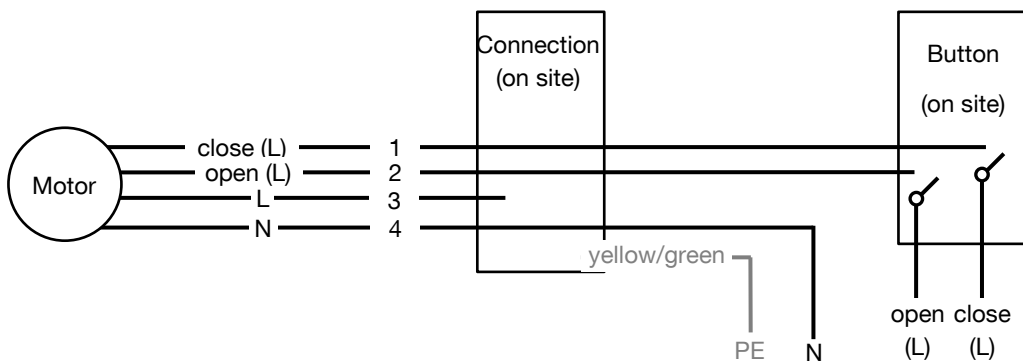
5.1 Completing the electrical connections

- Disconnect power supply
- secure shutdown
 - safety instructions, see chapter 2
- do connections as indicated
- ✓The motor is connected

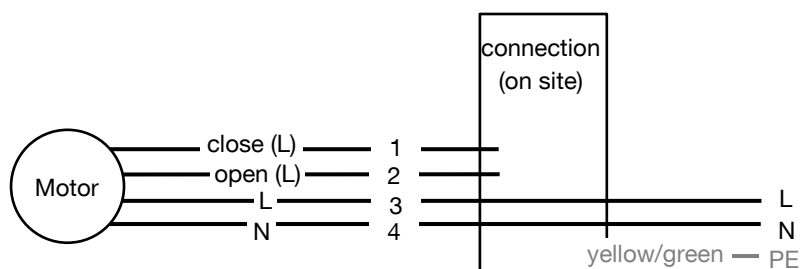
5.2 4-wire-connection



5.3 3-wire-connection



5.4 2-wire-connection





6 Wireless Receiver

An integrated wireless receiver in the engine is available for operation using one or more wireless transmitters. The wireless receiver is already installed at the factory and is ready for use without any further connections.

6.1 Programming Wireless Transmitters

The wireless receiver can be switched to the learning mode for teaching-in and clearing wireless transmitters. For a unit with wireless transmitters that have not yet been taught-in, this can be done for about 30 seconds after it has been switched on or can be accomplished via an already taught-in wireless transmitter using the learning button.



Note

A maximum of 32 wireless transmitters can be taught-in on one wireless receiver.

6.1.1 Teaching-in the First Wireless Transmitter

If no wireless transmitter has been taught-in on the wireless receiver yet, the wireless receiver will be in learning mode for about 30 seconds after being switched on.

- Supply motor and thus wireless receiver with voltage
 - ✓ The wireless receiver will be in learning mode for about 30 seconds
 - Briefly press the learning button on the desired wireless transmitter (<1.6 seconds)
 - ✓ The wireless transmitter's LED flashes at 1-second intervals
 - Briefly press one of the function buttons (Open, Closed or the like) on the desired wireless transmitter (<1.6 seconds)
 - ✓ The wireless transmitter has been taught-in
 - ✓ Learning mode is automatically exited

6.1.2 Teaching-in Additional Wireless Transmitters

If one or more wireless transmitters have already been taught-in, for example using the above-described procedure or in the factory, the wireless receiver is switched to learning mode using one of the wireless transmitters that has already been taught-in.

- Supply motor and thus wireless receiver with voltage
- Briefly press the learning button on the already taught-in wireless transmitter (<1.6 seconds)
 - ✓ The already taught-in wireless transmitter's LED flashes at 1-second intervals
 - Briefly press one of the function buttons (Open, Closed or the like) on the already taught-in wireless transmitter (<1.6 seconds)
 - ✓ Learning mode is activated for about 10 seconds
 - Briefly press the learning button on the desired wireless transmitter (<1.6 seconds)
 - ✓ The already desired wireless transmitter's LED flashes at 1-second intervals



- Briefly press one of the function buttons (Open, Closed or the like) on the desired wireless transmitter (<1.6 seconds)
- ✓ The wireless transmitter has been taught-in
- ✓ Learning mode is automatically exited
- ✓ Der Lernmodus wird automatisch verlassen

Clearing Wireless Transmitters with Taught-in Wireless Transmitter

All wireless receivers can be cleared in order to reset the wireless receiver to factory settings and teach-in the desired wireless transmitter again. An already taught-in wireless transmitter is required for this purpose.

- Supply motor and thus wireless receiver with voltage
- Press and hold down the learning button on the already taught-in wireless transmitter for a longer time (<5 seconds)
- ✓ The already taught-in wireless transmitter's LED flashes rapidly
- Press and hold down one of the function buttons (Open, Closed or the like) on the already taught-in wireless transmitter for a longer time (<5 seconds)
- ✓ All wireless transmitters have been cleared
- Disconnect motor and thus wireless receiver from voltage source
- ✓ The wireless transmitter comes with factory settings installed, without any taught-in wireless transmitters

6.1.3 Emergency Teach for lost remote controls

If none of the learned transmitters be available, must be taught new, to the so-called emergency learning needs to be performed.



Note

Run this emergency learning only if the already memorized radio transmitters are not available. For all other cases, the procedures described in advance are more comfortable.

- supply power to the motor, and also to the wireless receiver,
 - do as described in the followed: 4 times the motor and thus the radio receiver must be switched on and off, with the fifth turning on the wireless receiver it is back in the learning mode for 30 seconds.
- Supply motor and thus wireless receiver away from voltage
- Supply motor with voltage (<0,5 seconds) and disconnect immediately.
- ✓ Stop of the first turn on process
- Supply motor and thus wireless receiver away from voltage for min. 10 seconds
- Supply motor with voltage (<0,5 Sekunden) and disconnect again immediately.
- ✓ Stop of the second turn on process
- Supply motor and thus wireless receiver away from voltage for min. 10 seconds



- Supply motor with voltage (<0,5 seconds) and disconnect again immediately.
- ✓ Stop of the third turn on process

- Supply motor and thus wireless receiver away from voltage for min. 10 seconds
- Supply motor with voltage (<0,5 seconds) and disconnect again immediately.
- ✓ Stop of the forth turn on process

- Keep the motor away from voltage
- ✓ the wireless receiver it is back in the learning mode for 30 seconds
 - The teaching in of the wireless receiver can be done like described in chapter 6.
 - This is now an additional wireless receiver all in former times teaches receivers are still in function.
 - If the learning mode is not used, i.e. it can be taught no new wireless receiver or the motor disconnected again from the power, so the already memorized wireless receiver remains programmed.
The complete procedure must be repeated again if necessary.



www.baier-gmbh.de

6

Wireless Receiver



www.baier-gmbh.de

We provide you with proven quality:

Baier GmbH
Reiersbacher Straße 28
D-77871 Renchen-Ulm

Tel. +49 (0) 78 43 / 94 76 - 0
Fax +49 (0) 78 43 / 94 76 - 33

info@baier-gmbh.de
www.baier-gmbh.de

